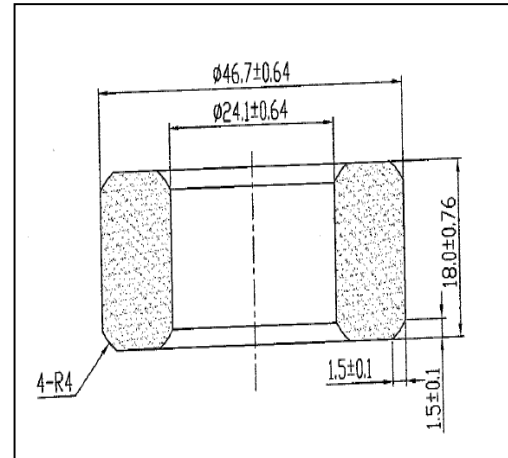


CORE SETS

Effective core parameters

SYMBOL	PARAMETER	VALUE	UNIT
$\Sigma(I/A)$	core factor(C_1)	5.96	cm^{-1}
l_e	effective length	11.2	cm
A_e	effective area	1.88	cm^2
V_e	effective volume	21	cm^3



dimension	before coating	after coating
OD	46.7±0.25	46.7±0.64
ID	24.1±0.25	24.1±0.64
HT	18.0±0.30	18.0±0.76

Characteristic

GRADE	AL(nH/N2)	CORE LOSS(mW) Max		
	f=10KHz V= 0.05V	f=100KHz B=14mT T=25°C	f=250KHz B=10mT T=25°C	f=500KHz B=5mT T=25°C
-2	24			
-8	72	735.00	1041.60	588.00
-18	116	1110.90	1570.80	894.60
-26	169	2005.50	4227.30	3357.90
-28	51	3696.00	7486.50	5796.00
-30	51	3381.00	5355.00	3402.00
-33	70	4347.00	8694.00	7035.00
-34	70	1980.30	3139.50	1932.00
-35	70	2898.00	4599.00	2940.00
-38				
-40	143	3066.00	6510.00	5313.00
-52	159	1400.70	2295.30	1522.50