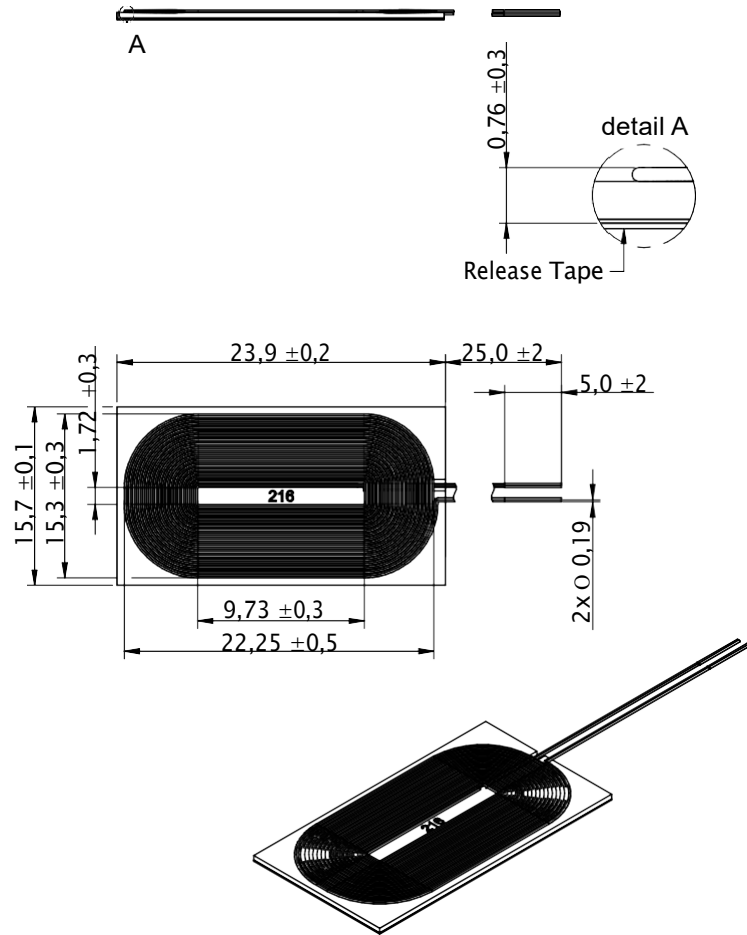


**Dimensions: [mm]**



**Electrical Properties:**

Properties		Test conditions	Value	Unit	Tol.
Inductance	L	125 kHz/ 10 mA	7.5	$\mu$ H	$\pm 10\%$
Rated Current	$I_R$	$\Delta T = 40$ K	1.55	A	max.
Q-Factor	Q	125 kHz/ 10 mA	16		typ.
Power Capability	P	$V_{DC} = 20$ V	20	W	typ.
DC Resistance	$R_{DC}$	@ 20 °C	340	m $\Omega$	typ.
DC Resistance	$R_{DC}$	@ 20 °C	380	m $\Omega$	max.
Self Resonant Frequency	$f_{res}$		>3	MHz	typ.