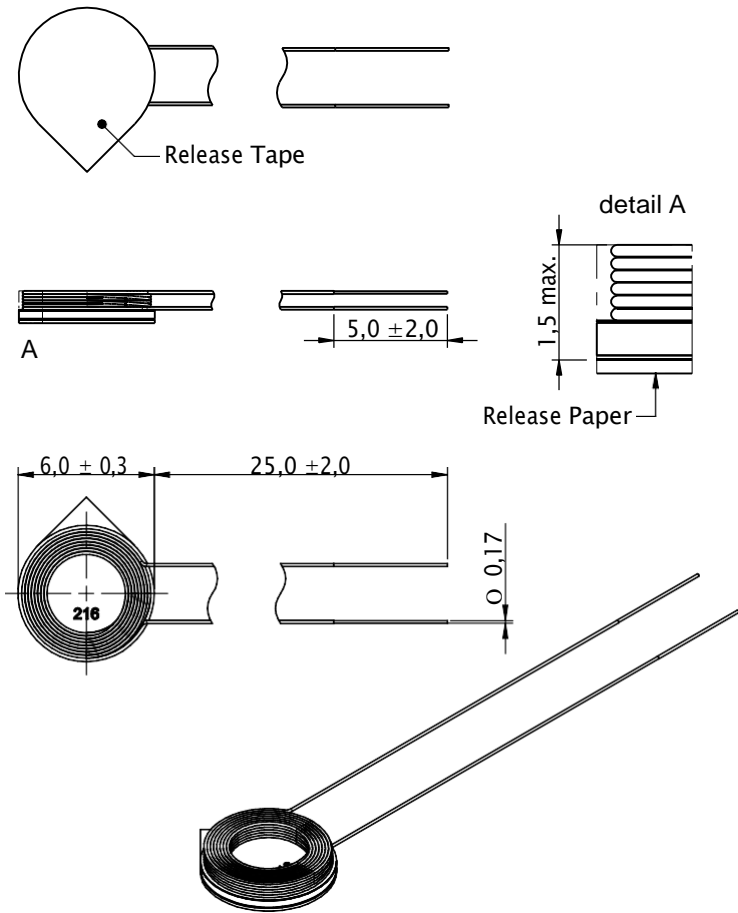


Dimensions: [mm]



Electrical Properties:

Properties		Test conditions	Value	Unit	Tol.
Inductance	L	125 kHz/ 10 mA	7.2	μH	±10%
Rated Current	I _R	ΔT = 40 K	0.8	A	max.
Q-Factor	Q	125 kHz/ 10 mA	10		typ.
Power Capability	P	V _{DC} = 20 V	5	W	typ.
DC Resistance	R _{DC}	@ 20 °C	400	mΩ	typ.
DC Resistance	R _{DC}	@ 20 °C	440	mΩ	max.
Self Resonant Frequency	f _{res}		>3	MHz	typ.