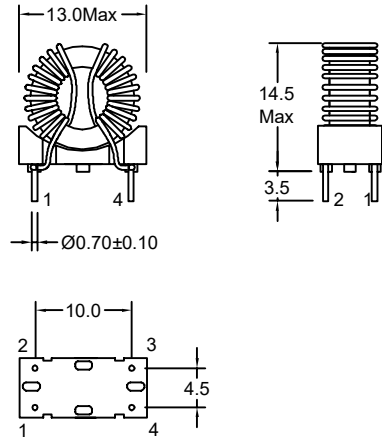
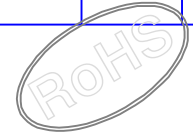
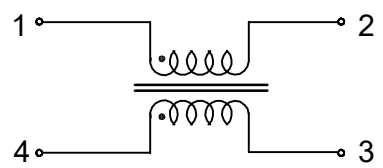


REV	DESCRIPTION	APPD	DATE

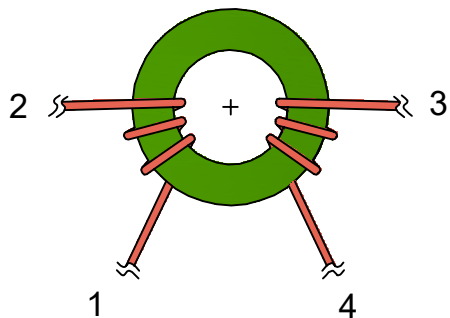
Outline Dimensions(Unit:mm)



Electronical Schematic



Winding Construction:



Electrical Characteristics

Inductance: L1-2=L4-3=300uH ±30%. AT 10KHz 0.1V.  
 Rated current: 2.0A Max.  
 D.C.Resistance: 26.0 mohms Max.  
 Turns Ratio: (1-2):(4-3)=1 : 1 ±1%.  
 Hipot Test: coil-coil: 1500VAC/5mA/2sec.  
 Wire: 0.45mm/12Ts ref/1UEW-F/155C.  
 Base: XH-B1004/T375J.  
 Core : T10\*6\*5C-H5K.  
 Operating temperature: -40°C to \*125°C.

TOLERANCE LEVEL		PAIRUI	天长市派锐电子有限公司 Tian Chang Pairui Electronic Cop., Ltd	
X.	—		DWN:	Yuing.yu
.X	±0.50	CHKD:	Benson.zhan	FuAn P/N: FACM10B-301Y2RO
.XX	±0.25	APPD:	Anson.zhan	Customer P/N:
.XXX	—	Sheet	1/1	Document No. 1812027
		Rev No.	1.0	Date Dec./08/2018