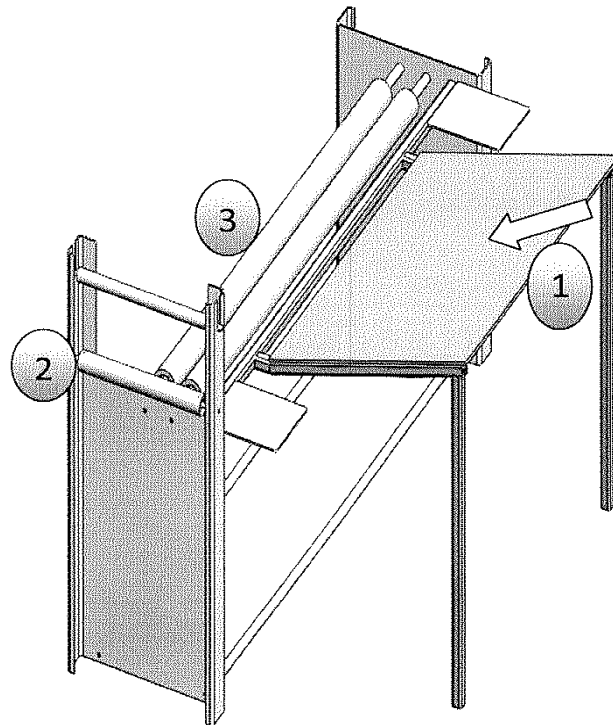


USER MANUAL FOR PACKING APPARATUS



- The rolls, which is completed from Inspection Machine, is placed on to the platform **1** and the rolls are ready for packing.
- **2** Packing material is stretched along the **3** two cylinders up to its length. The roll is covered by packing material.
- After these basic steps the packing process will be finished.