

# DELIVERY FORMS

In order to avoid transport damage all goods are carefully packed in card board boxes or wooden cases, with suitable internal protection.

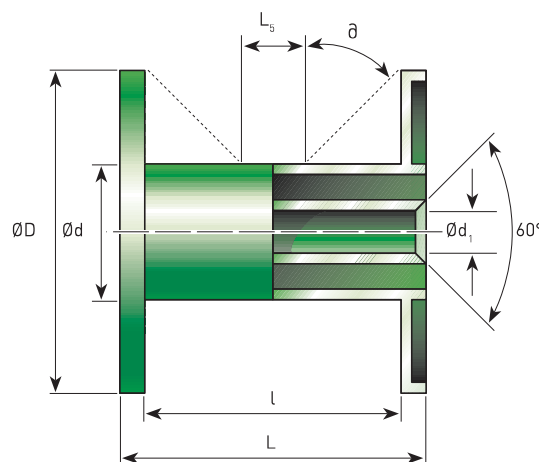
## RESISTANCE HEATING ALLOYS – KANTHAL®, ALKROTHAL®, NIKROTHAL® AND NIFETHAL™

### WIRE

Wire of  $\leq 1.63$  mm (0.064 in) is delivered on spools, such as shown in the figure. Only one length of wire is wound on each spool.

Wire sizes between 0.40 and 1.63 mm (0.016–0.064 in) can be supplied in round pail packs (drums) such as shown in the table below.

Wire sizes  $> 1.65$  mm (0.065 in) is normally supplied in coils with an inner diameter of approx. 500–600 mm (19.7–23.6 in).



Spool (B 1, B 2, B 4).

### TYPES OF WIRE SPOOLS

SPOOL NO.	TARE G (LB)	SPOOL MEASUREMENTS, MM (IN)					WIRE DIAMETER MM (IN)	CAPACITY APPROX. KG (LB)
		D	D	D1	L	L		
B 1	100 (0.22)	75 (2.95)	40 (1.57)	16 (0.63)	120 (4.72)	100 (3.94)	0.10–0.19 (0.004–0.007)	1 (2.2)
B 2	115 (0.25)	90 (3.54)	40 (1.57)	16 (0.63)	120 (4.72)	100 (3.94)	0.20–0.24 (0.008–0.009)	2 (4.4)
B 4	180 (0.40)	120 (4.72)	50 (1.97)	16 (0.63)	120 (4.72)	100 (3.94)	0.25–1.00 (0.010–0.039)	4 (8.8)
DIN 200	600 (1.32)	200 (7.87)	125 (4.92)	36 (1.42)	200 (7.87)	160 (6.30)	0.16–1.20 (0.006–0.047)	10 (22.0)
DIN 250	1050 (2.31)	250 (9.84)	160 (6.30)	36 (1.42)	200 (7.87)	160 (6.30)	0.30–1.63 (0.012–0.064)	20 (44.1)
DIN 355	1850 (4.08)	355 (13.98)	224 (8.82)	36 (1.42)	200 (7.87)	160 (6.30)	0.50–1.63 (0.022–0.064)	40 (88.2)